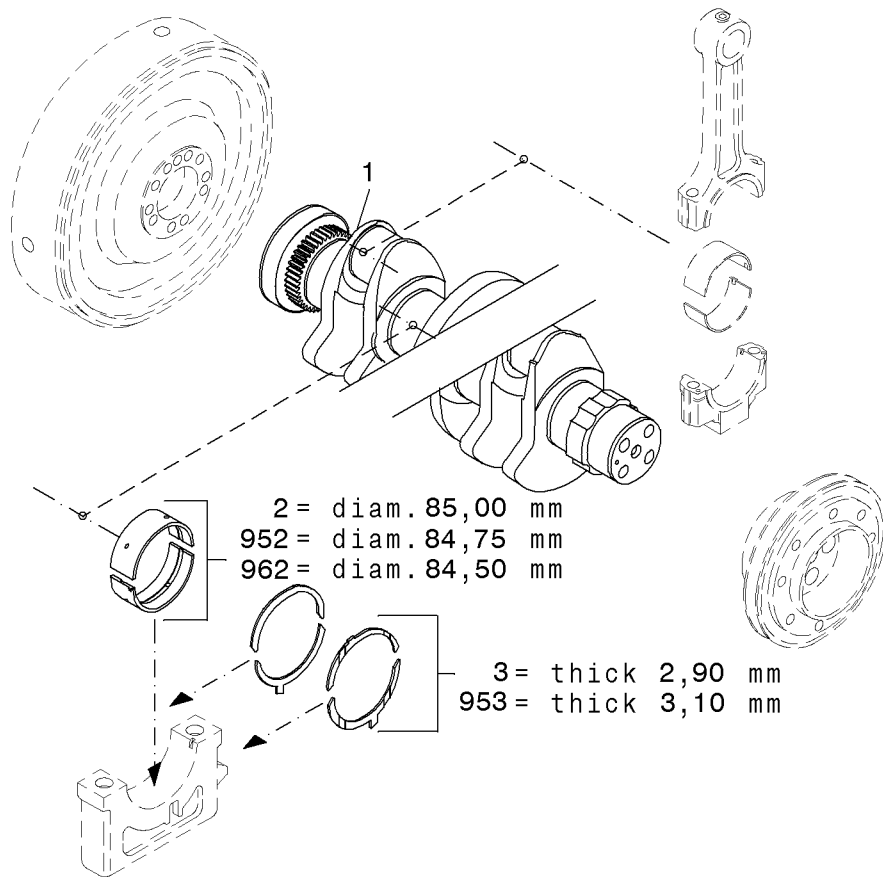
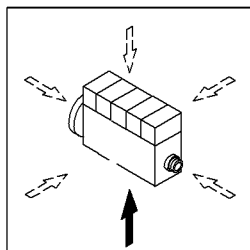




Kurbelwelle
Crankshaft
Vilebrequin
Ciguenal

Referenznr.:

0128-05-0510 2246



2 = diam. 85,00 mm
952 = diam. 84,75 mm
962 = diam. 84,50 mm

3 = thick 2,90 mm
953 = thick 3,10 mm

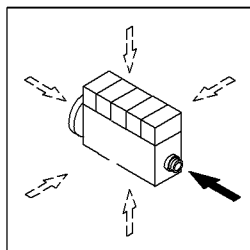
003 ©



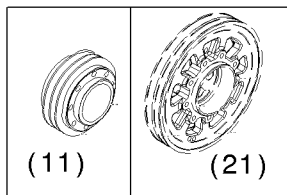
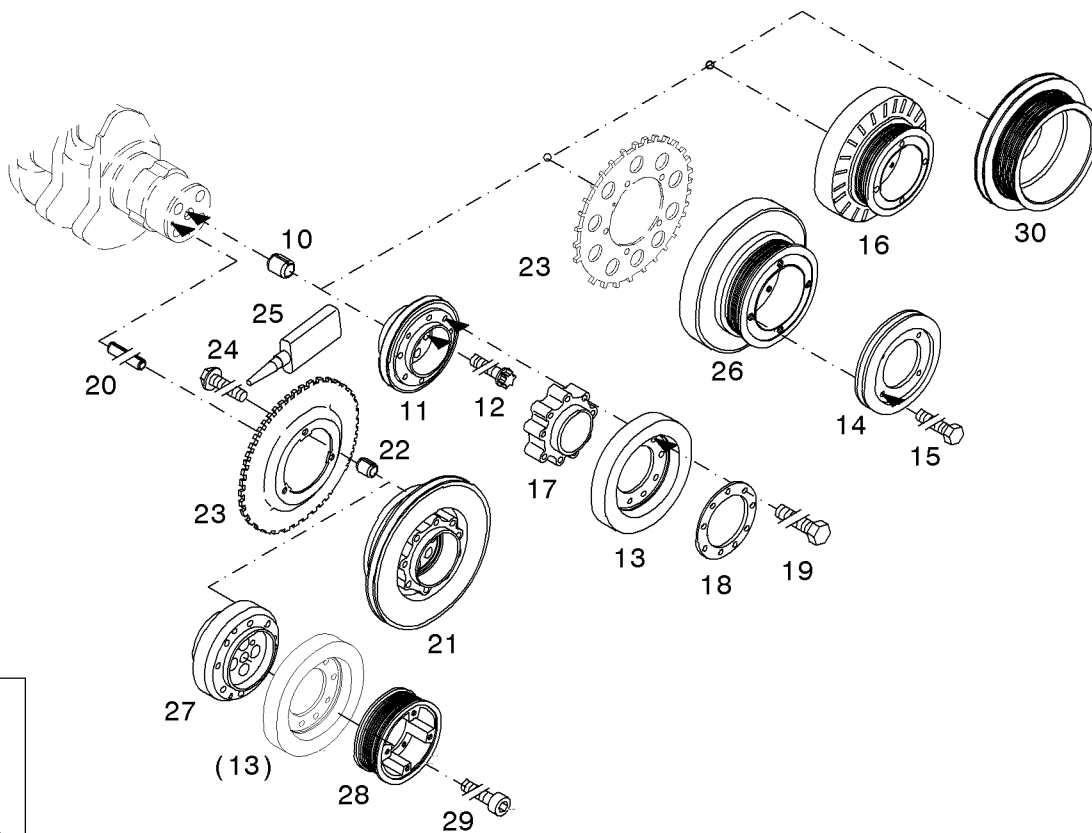
Keilriemenscheibenanbau
V-belt pulley assembly
Montage de poulie à gorge trapezoidale
Montaje de polea trapecial

Referenznr.:

0128-05-0510 2247



004 ©





Schwungrad
Flywheel
Volant
Volante

Referenznr.:

0128-05-0510 2248

004 ©

