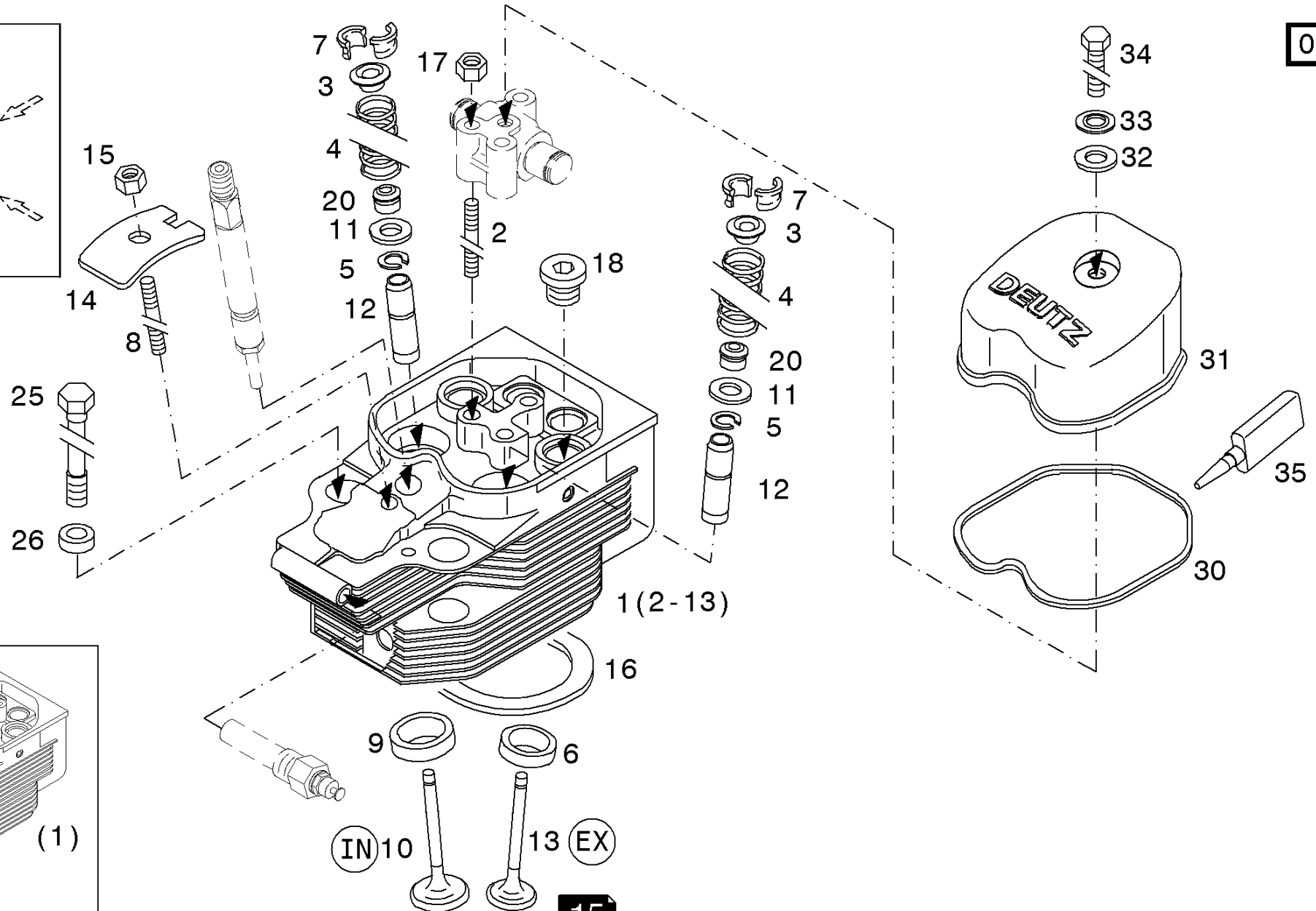
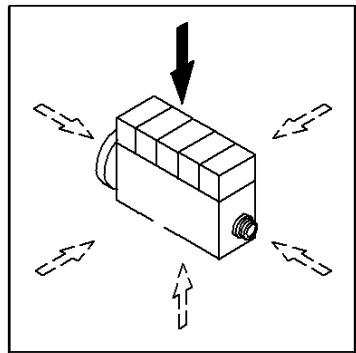




Zylinderkopf
Cylinder head
Culasse
Culata

Referenznr.:

0150-08-0510 2071



004 ©