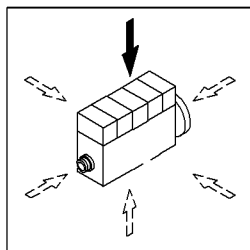




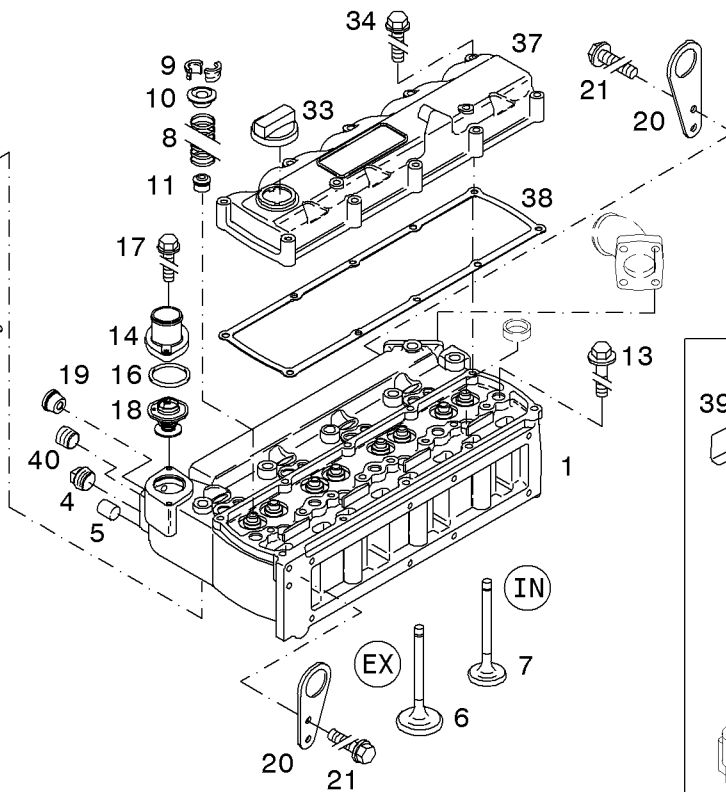
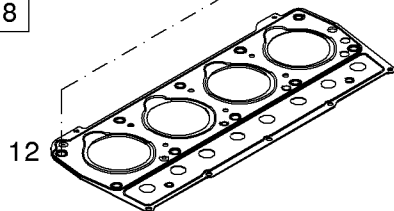
Zylinderkopf
Cylinder head
Culasse
Culata

Referenznr.:

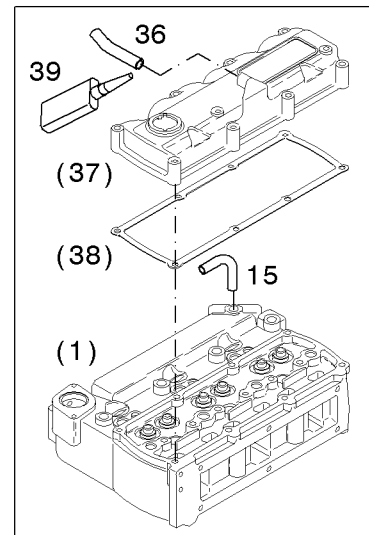
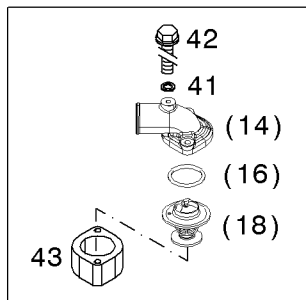
0168-08-0510 2299



2008



002 ©



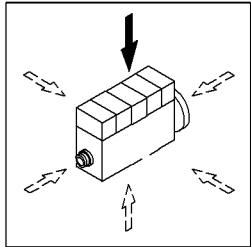


Zylinderkopf
Cylinder head
Culasse
Culata

Referenznr.:

0168-08-0510 2300

002 ©



2009

